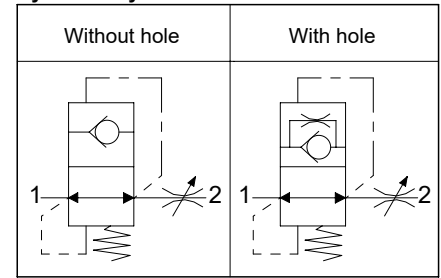
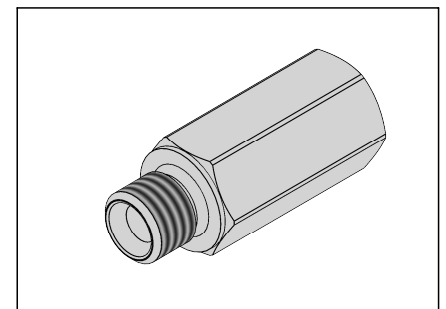
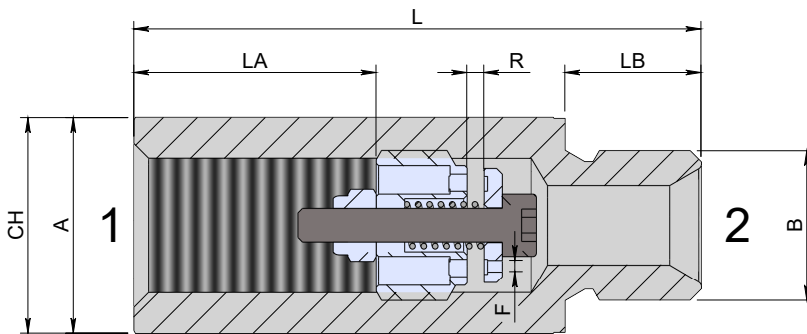
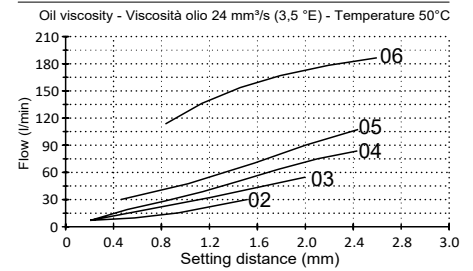


**Hose break valves in male female manifold**  
**Valvole di sicurezza (paracadute) in collettore maschio femmina**

**Specifications / Specifiche**

Fluid viscosity:	Viscosità Fluido :	ISO 3448
Filtration:	Classe di contaminazione:	ISO 4406
Fluid temperature:	Temperatura fluido:	-20°C +90°C
Ambient temperature:	Temperatura ambiente:	-20°C +50°C

**Hydraulic symbol / Simbolo idraulico**

**Dimensions / Dimensioni (mm)**

**Performance / Prestazioni**

**How to order / Come ordinare**
**18-B-\*\*-00-3-1-\*\*-\*\***

 Example  
 15 = R 1.5 Setting  
 20 = R 2.0 Regolazione

 Example  
 00 = No hole Hole F Diameter  
 01 = F Ø 0.1 Diametro foro F

 B thread  
 Filetto B  
 02 = 1/4 BSPP  
 03 = 3/8 BSPP  
 04 = 1/2 BSPP  
 05 = 3/4 BSPP  
 06 = 1" BSPP  
 A thread  
 Filetto A  
 02 = 1/4 BSPP  
 03 = 3/8 BSPP  
 04 = 1/2 BSPP  
 05 = 3/4 BSPP  
 06 = 1" BSPP

Standard code Codice standard	A thread	B thread	L	LB	LA	CH	R Std	Weight/Peso (kg)	Max. Flow Q max (l/min)	Max. pressure (bar)
18B0900310202	1/4	1/4	50	12	20.5	19	0.9	0.08	25	350
18B1500310303	3/8	3/8	58	13	22.5	24	1.5	0.14	50	350
18B2300310404	1/2	1/2	62	14	22.5	27	2.3	0.18	80	350
18B2500310505	3/4	3/4	75	16	24.5	32	2.5	0.30	150	350
18B2800310606	1"	1"	85	26	43	41	2.8	0.45	180	350

\*On request versions: Please, contact our customer service.

\*Versioni su richiesta: Per cortesia contattare il ns. servizio clienti.