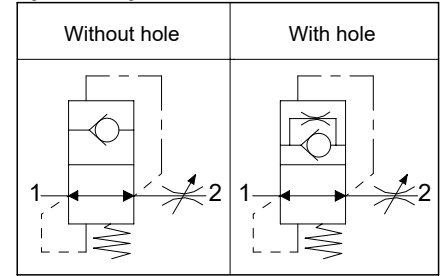
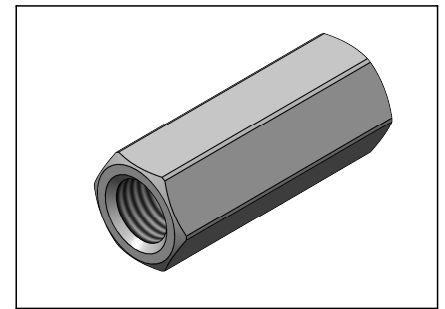
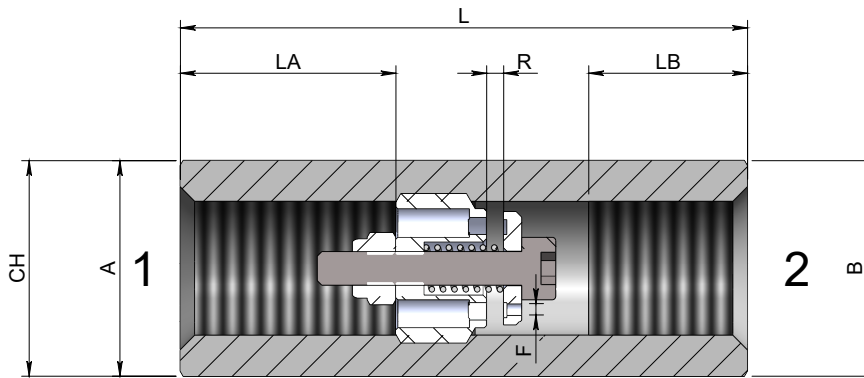
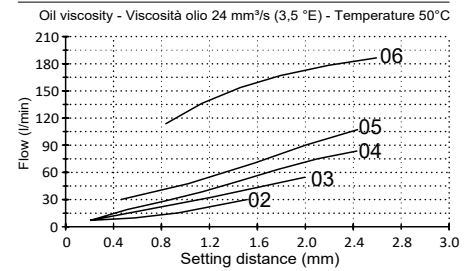


**Hose break valves in female female manifold
Valvole di sicurezza (paracadute) in collettore femmina femmina**

Specifications / Specifiche

Fluid viscosity:	Viscosità Fluido :	ISO 3448
Filtration:	Classe di contaminazione:	ISO 4406
Fluid temperature:	Temperatura fluido:	-20°C +90°C
Ambient temperature:	Temperatura ambiente:	-20°C +50°C

Hydraulic symbol / Simbolo idraulico

Dimensions / Dimensioni (mm)

Performance / Prestazioni

How to order / Come ordinare
18-C--00-3-1-**-****

 Example
 15 = R 1.5 Setting
 20 = R 2.0 Regolazione

 Example
 00 = No hole Hole F Diameter
 01 = F Ø 0.1 Diametro foro F

 B thread
 Filetto B
 02 = 1/4 BSPP
 03 = 3/8 BSPP
 04 = 1/2 BSPP
 05 = 3/4 BSPP
 06 = 1" BSPP
 A thread
 Filetto A
 02 = 1/4 BSPP
 03 = 3/8 BSPP
 04 = 1/2 BSPP
 05 = 3/4 BSPP
 06 = 1" BSPP

Standard code Codice standard	A thread	B thread	L	LB	LA	CH	R Std	Weight/Peso (kg)	Max. Flow Q max (l/min)	Max. pressure (bar)
18C0900310202	1/4	1/4	50	14	19	19	0.9	0.09	25	350
18C1500310303	3/8	3/8	58	17	23	24	1.5	0.16	50	350
18C2300310404	1/2	1/2	62	18	22.5	27	2.3	0.20	80	350
18C2500310505	3/4	3/4	75	21	23.5	32	2.5	0.30	150	350
18C2800310606	1"	1"	85	19	41	41	2.8	0.45	180	350

*On request versions: Please, contact our customer service.

*Versioni su richiesta: Per cortesia contattare il ns. servizio clienti.