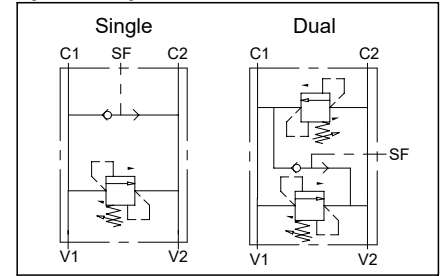
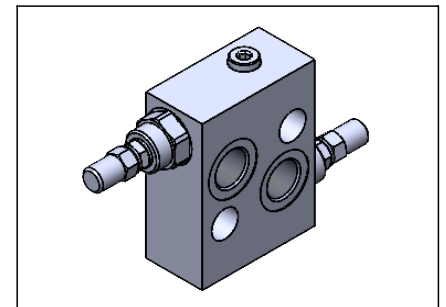
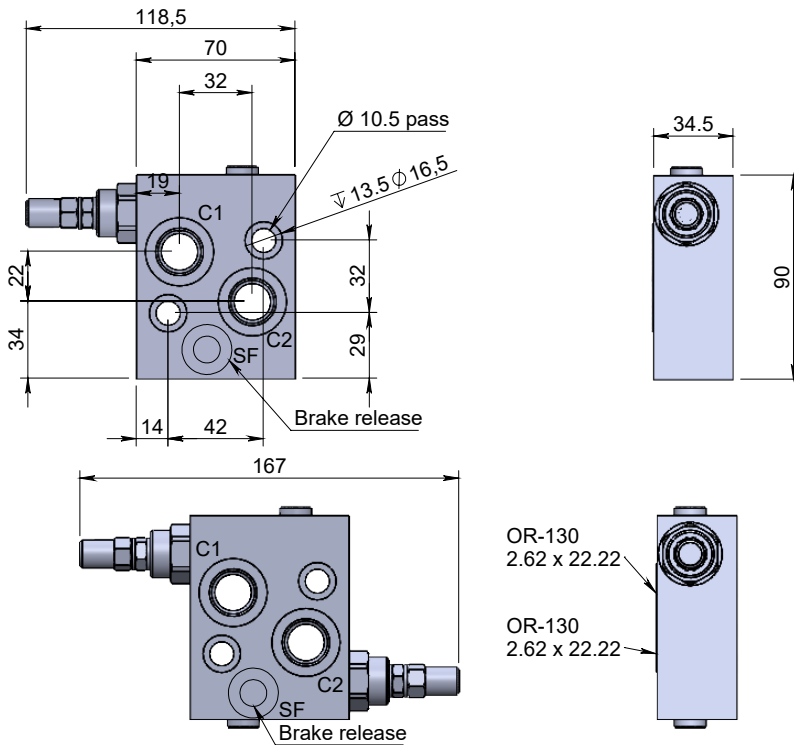
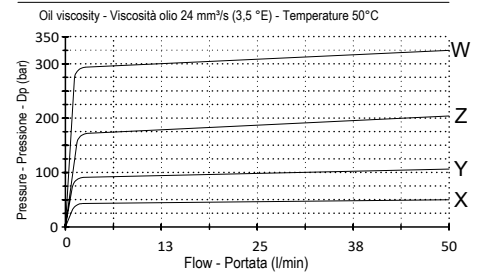


Single / Dual cross over direct acting relief valve OMS motor flangeable
Valvola antiurto singola / doppia flangiabile su motori OMS

Specifications / Specifiche

Fluid viscosity:	Viscosità fluido :	ISO 3448
Filtration:	Classe di contaminazione:	ISO 4406
Fluid temperature:	Temperatura fluido:	-20°C +90°C
Ambient temperature:	Temperatura ambiente:	-20°C +50°C
Max. operating pressure:	Pressione di lavoro max :	350 Bar
Standard seals:	Guarnizioni standard:	NBR 70 Shore A
Manifold material:	Materiale collettore:	Zinc plated steel

Hydraulic symbol / Simbolo idraulico

Dimensions / Dimensioni (mm)

Performance / Prestazioni

How to order / Come ordinare

10-L-04-G-3-R-04-***

04= Double effect

14= Double effect with brake release

05= Single effect

15= Single effect with brake release

R= Screw with steel cap (Std)

N= Tamper resistant cap

O= Handknob and locknut

04 = 1/2 BSPP

Manifold model

Modello collettore

Adjustment

Regolazione

Ports size

Dimensione attacchi

Std setting at 5 l/min

Setting range Campo taratura	X = 10-50 bar	30 bar
	Z = 10-180 bar (Std)	90 bar
	W = 80-300 bar	150 bar

Standard code Codice standard	Thread/Filetto		Denomination	Weight/Peso (kg)	Max. Flow Q max (l/min)
	C1-C2	SF			
10L04G043R04Z	1/2	-	RVD-OMS-2	1.5	50
10L04G143R04Z	1/2	1/4	RVD-OMS-2-SF	1.5	50
10L04G053R04Z	1/2	-	RVD-OMS-1	1.5	50
10L04G153R04Z	1/2	1/4	RVD-OMS-1-SF	1.5	50

*On request versions: Please, contact our customer service.

*Versioni su richiesta: Per cortesia contattare il ns. servizio clienti.