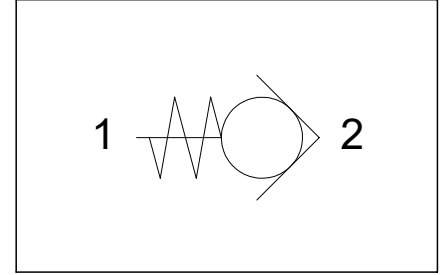
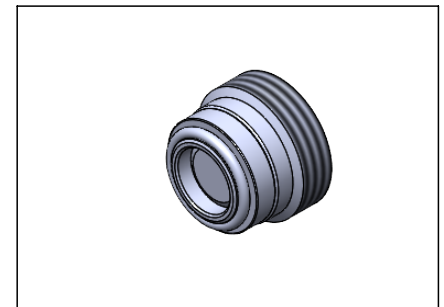
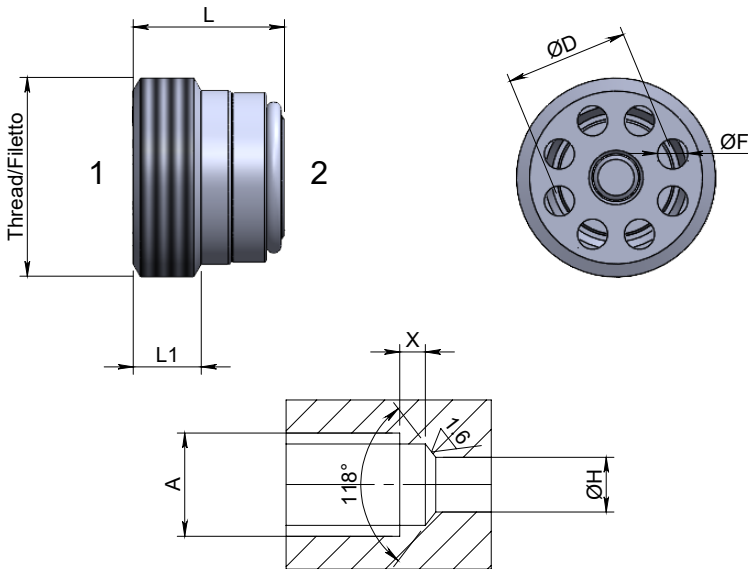
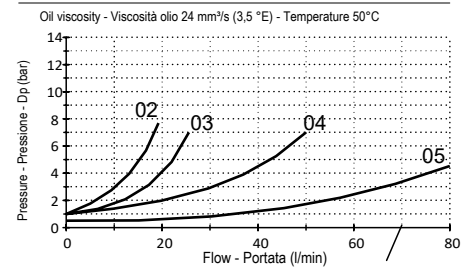


**Check valve insert, poppet type**  
**Valvola unidirezionale inserto, tipologia otturatore**

**Specifications / Specifiche**

Fluid viscosity:	Viscosità Fluido :	ISO 3448
Filtration:	Classe di contaminazione:	ISO 4406
Fluid temperature:	Temperatura fluido:	-20°C +90°C
Ambient temperature:	Temperatura ambiente:	-20°C +50°C

**Hydraulic symbol / Simbolo idraulico**

**Dimensions / Dimensioni (mm)**

**Performance / Prestazioni**

**How to order / Come ordinare**
**13-C-00-C01-6-0-\*\*-0**

Thread	02 = 1/4 BSPP
Filetto	03 = 3/8 BSPP
	04 = 1/2 BSPP
	05 = 3/4 BSPP

Standard code Codice standard	Thread Filetto	L	L1	ØF	ØD	A	X Min.	ØHmax.	Weight/Peso (kg)	Max. Flow Q max (l/min)	Cracking pressure (bar)	MAX Pressure (bar)	installation torque Nm
13C00C0160020	1/4	8.5	4.4	2.2	8.4	1/4	3	7	0.006	20	0.5	350	15
13C00C0160030	3/8	11.3	6	3	11.1	3/8	3	9	0.012	50	0.5	350	30
13C00C0160040	1/2	12.7	6.5	3.8	13.5	1/2	3	12	0.019	80	0.5	350	30
13C00C0160050	3/4	17	9.5	4.5	18	3/4	3	16	0.046	100	0.5	350	50

\*On request versions: Please, contact our customer service.

\*Versioni su richiesta: Per cortesia contattare il ns. servizio clienti.