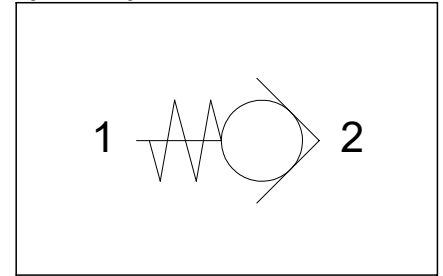
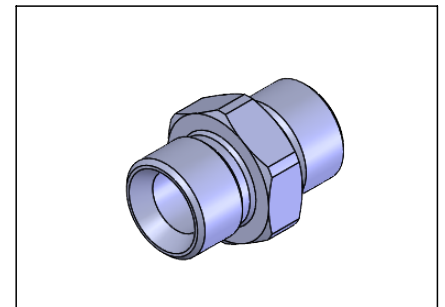
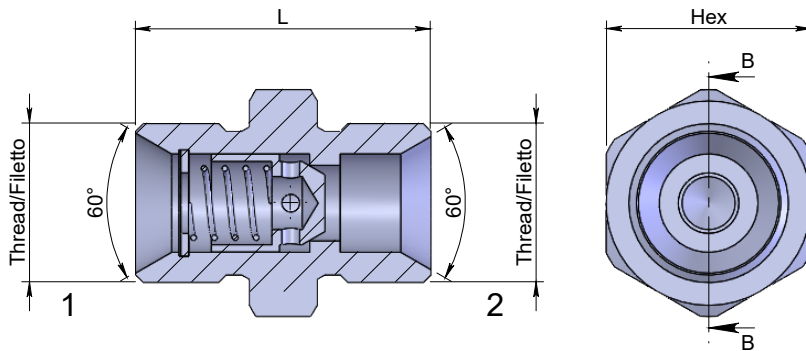
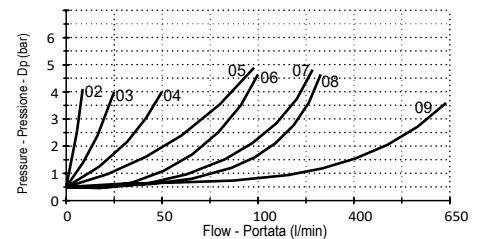


**Check valve male male nipple
Valvola unidirezionale raccordo maschio maschio**

Specifications / Specifiche

Fluid viscosity:	Viscosità Fluido :	ISO 3448
Filtration:	Classe di contaminazione:	ISO 4406
Fluid temperature:	Temperatura fluido:	-20°C +90°C
Ambient temperature:	Temperatura ambiente:	-20°C +50°C
External surfaces:	Superfici esterne:	Zinc plated/Zincate

Hydraulic symbol / Simbolo idraulico

Dimensions / Dimensioni (mm)

Performance / Prestazioni

 Oil viscosity - Viscosità olio 24 mm²/s (3.5 °E) - Temperature 50°C

How to order / Come ordinare
13-N-01-M01-3-0--***

 02 = 1/4 BSPP
 03 = 3/8 BSPP
 04 = 1/2 BSPP
 05 = 3/4 BSPP
 06 = 1" BSPP
 07 = 1"1/4 BSPP
 08 = 1"1/2 BSPP
 09 = 2" BSPP

Cracking pressure	X = 1 bar	-	From 1"1/4
Pressione apertura	Y = 3 bar	-	1 bar
	Z = 6 bar	-	6 bar
		-	9 bar

Standard code Codice standard	Thread Filetto	L	Hex	Weight/Peso (kg)	Max. Flow Q max (l/min)	MAX Pressure (bar)
13N01M013002X	1/4	32	19	0.033	8	350
13N01M013003X	3/8	34	22	0.053	20	350
13N01M013004X	1/2	39	27	0.092	50	350
13N01M013005X	3/4	45	32	0.142	90	350
13N01M013006X	1"	55	40	0.288	90	320
13N01M013007X	1"1/4	70	50	0.594	250	320
13N01M013008X	1"1/2	86	55	0.910	300	320
13N01M013009X	2"	102	70	1.800	650	320

*On request versions: Please, contact our customer service.

*Versioni su richiesta: Per cortesia contattare il ns. servizio clienti.