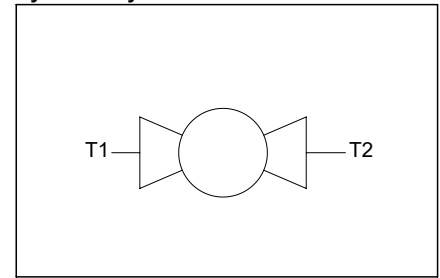
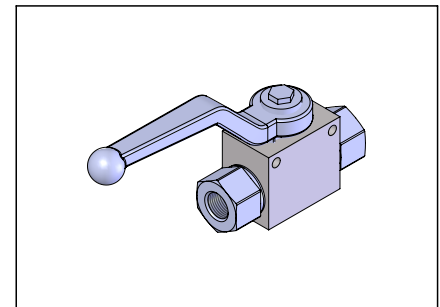
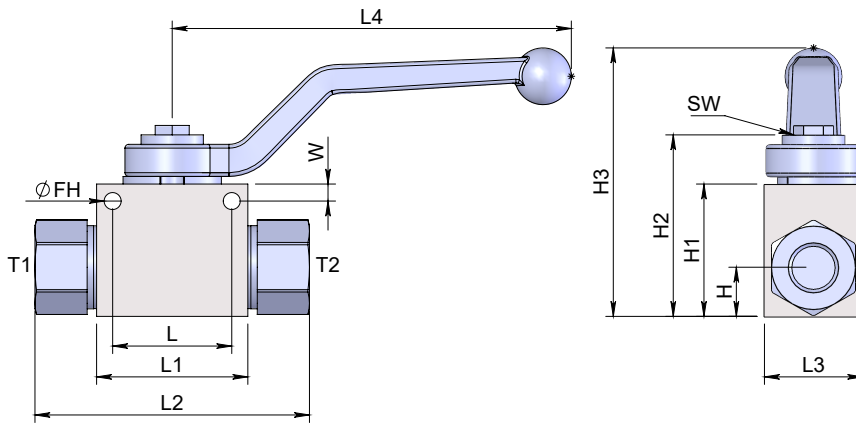


**2-Way BSPP ball valve  
Rubinetto a sfera 2 vie BSPP**

**Specifications / Specifiche**

Fluid viscosity:	Viscosità Fluido :	ISO 3448
Filtration:	Classe di contaminazione:	ISO 4406
Fluid temperature:	Temperatura fluido:	-20°C +90°C
Ambient temperature:	Temperatura ambiente:	-20°C +50°C
Standard seals:	Guarnizioni standard:	NBR
External surfaces:	Superfici esterne:	Zinc plated steel

**Hydraulic symbol / Simbolo idraulico**

**Dimensions / Dimensioni (mm)**


## How to order / Come ordinare

**27-2-A-Y-000-\*\*-3-P-\*\*-N**

 T1-T2 Port size  
Dimensione attacchi T1-T2

 02 = 1/4 BSPP  
 03 = 3/8 BSPP  
 04 = 1/2 BSPP  
 05 = 3/4 BSPP  
 06 = 1" BSPP  
 07 = 1"1/4 BSPP  
 08 = 1"1/2 BSPP

Standard code Codice standard	Threads	DN	L	L1	L2	L3	L4	H	H1	H2	H3	ØFH	W	SW	Weight/Peso (kg)	Max. Press. (bar)
	T1-T2															
272AY000063P02N	1/4	6	34	39.4	69	26	110	14.3	33	47.3	87	5.1	4	9	0.4	500
272AY000103P03N	3/8	10	34	41.8	71	30	110	15	35	49.3	89	5.1	4	9	0.5	500
272AY000133P04N	1/2	13	36	44.4	83	35	110	18.3	40	54.3	94	5.1	4	9	0.6	500
272AY000203P05N	3/4	20	50	62.5	95	49	180	25.4	57	75.5	105	6.3	6	14	1.4	420
272AY000253P06N	1"	25	50	66.5	112	55	180	29.5	65	83.5	113	6.3	6	14	2.2	420
272AY000253P07N	1"1/4	25	50	66.5	120	55	180	29.5	65	83.5	113	6.3	6	14	2.3	420
272AY000253P08N	1"1/2	25	50	66.5	124	55	180	29.5	65	83.5	113	6.3	6	14	2.4	420

\*On request versions: Please, contact our customer service.

\*Versioni su richiesta: Per cortesia contattare il ns. servizio clienti.