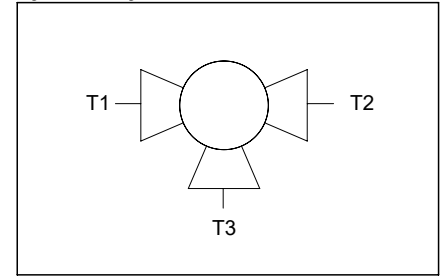
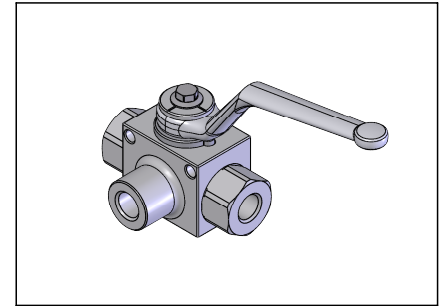
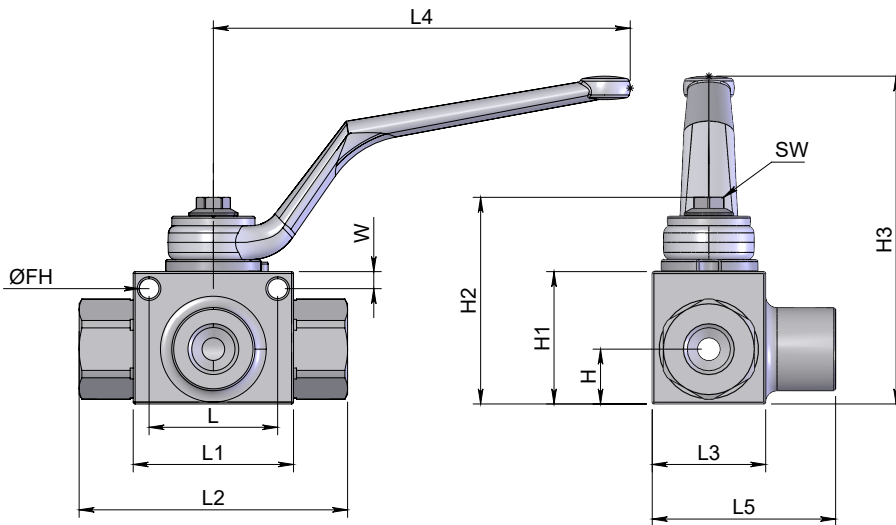


### 3-Way BSPP ball valve Rubinetto a sfera 3 vie BSPP

**Specifications / Specifiche**

Fluid viscosity:	Viscosità Fluido :	ISO 3448
Filtration:	Classe di contaminazione:	ISO 4406
Fluid temperature:	Temperatura fluido:	-20°C +90°C
Ambient temperature:	Temperatura ambiente:	-20°C +50°C
Standard seals:	Guarnizioni standard:	NBR 70 Shore A
External surfaces:	Superfici esterne:	Zinc plated steel

**Hydraulic symbol / Simbolo idraulico**

**Dimensions / Dimensioni (mm)**


## How to order / Come ordinare

**27-3-A-Y-000-\*\*-3-P-\*\*-N**

 T1-T2-T3 Port size  
Dimensione attacchi T1-T2-T3

 02 = 1/4 BSPP  
 03 = 3/8 BSPP  
 04 = 1/2 BSPP  
 05 = 3/4 BSPP  
 06 = 1" BSPP  
 07 = 1 1/4 BSPP  
 08 = 1 1/2 BSPP

Standard code Codice standard	Threads	DN	L	L1	L2	L3	L4	L5	H	H1	H2	H3	ØFH	W	SW	Weight/Peso (kg)	Max. Press. (bar)
	T1-T2-T3																
273AY000063P02N	1/4	06	34	42.4	71	30	110	48.5	14.5	35	49	87	5.3	4.5	9	0.5	500
273AY000103P03N	3/8	10	34	44.4	73	35	110	54.5	17.4	40	54.3	93	5.3	4.5	9	0.7	500
273AY000133P04N	1/2	13	36	48.4	83	37	110	58.5	19.7	43	57	97	5.3	5	9	0.8	500
273AY000203P05N	3/4	20	50	62.5	95	49	180	75	25.4	57	75.5	105	6.3	6	14	1.6	420
273AY000253P06N	1"	25	50	66.5	112	55	180	89	29.5	65	83.5	113	6.3	6	14	2.4	420
273AY000253P07N	1 1/4"	25	50	66.5	120	55	180	89	29.5	65	83.5	113	6.3	6	14	2.6	420
273AY000253P08N	1 1/2"	25	50	66.5	124	55	180	89	29.5	65	83.5	113	6.3	6	14	2.7	420

\*On request versions: Please, contact our customer service.

\*Versioni su richiesta: Per cortesia contattare il ns. servizio clienti.