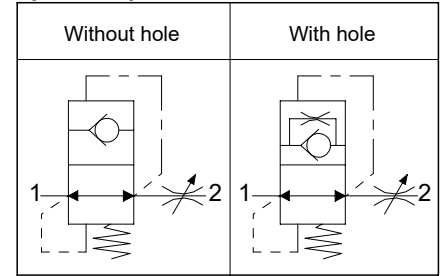
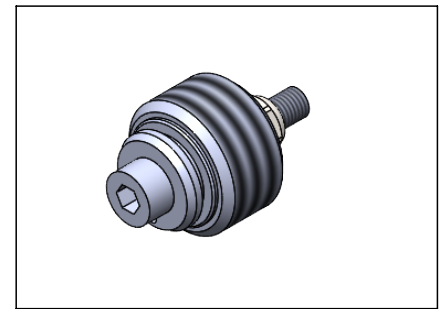
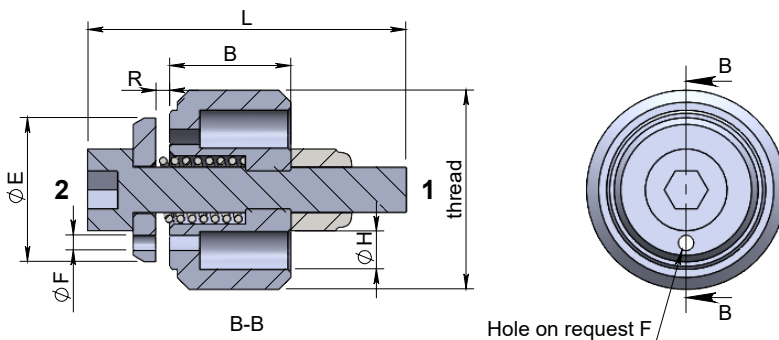
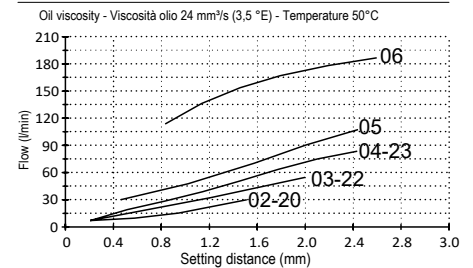


Hose break valves Valvole di sicurezza (paracadute)

Specifications / Specifiche

Fluid viscosity:	Viscosità Fluido :	ISO 3448
Filtration:	Classe di contaminazione:	ISO 4406
Fluid temperature:	Temperatura fluido:	-20°C +90°C
Ambient temperature:	Temperatura ambiente:	-20°C +50°C

Hydraulic symbol / Simbolo idraulico

Dimensions / Dimensioni (mm)

Performance / Prestazioni

How to order / Come ordinare
18-A--00-6-1-**-00**

 Example
 15 = R 1.5
 20 = R 2.0

 Setting
 Regolazione

 Example
 00 = No hole
 01 = F Ø 0.1

 Hole F Diameter
 Diametro foro F

 Thread
 Filetto

 02 = 1/4 BSPP
 03 = 3/8 BSPP
 04 = 1/2 BSPP
 05 = 3/4 BSPP
 06 = 1" BSPP
 20 = M14 x 1.5
 22 = M16 x 1.5
 23 = M18 x 1.5

Standard code Codice standard	Thread Filetto	B	ØD	ØE	ØH	L	R Std	Weight/Peso (kg)	Max. Flow Q max (l/min)	MAX Pressure (bar)
18A0900610200	1/4	8	8	9.5	2.5	21	0.9	0.006	20	350
18A1500610300	3/8	10.5	10.5	12.5	3.5	21	1.5	0.012	50	350
18A2300610400	1/2	13	12.5	15	4.5	29	2.3	0.024	80	350
18A2500610500	3/4	18	16	18.5	6	34	2.5	0.048	140	350
18A2800610600	1"	20	19	25	7	40	2.8	0.098	180	350
18A0900612000	14x1.5	8	8	9.5	2.5	21	0.9	0.012	20	350
18A1800612200	16x1.5	10.5	10	12.5	3.5	21	1.8	0.013	50	350
18A2500612300	18x1.5	13	12	13.5	4.15	29	2.5	0.023	80	350

*On request versions: Please, contact our customer service.

*Versioni su richiesta: Per cortesia contattare il ns. servizio clienti.