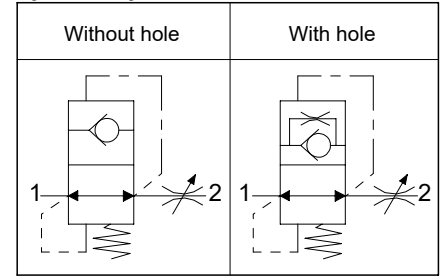
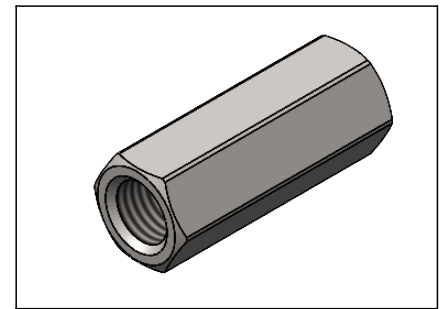
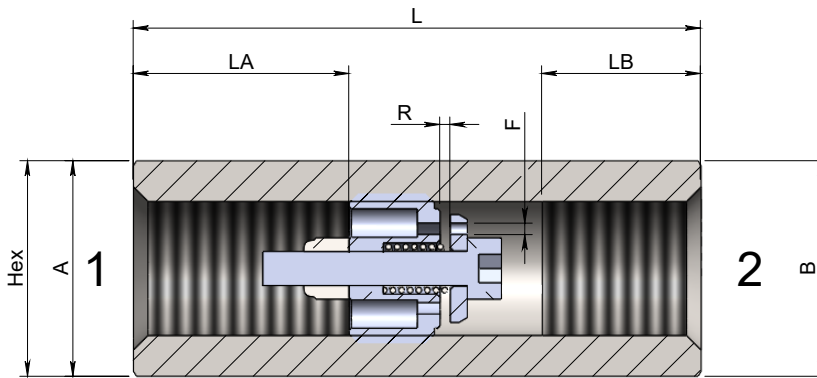
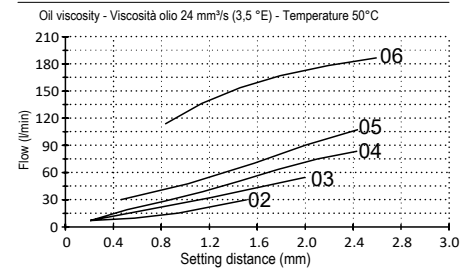


Hose break valves in female female manifold
Valvole di sicurezza (paracadute) in collettore femmina femmina

Specifications / Specifiche

| | | |
|----------------------|---------------------------|-------------|
| Fluid viscosity: | Viscosità Fluido : | ISO 3448 |
| Filtration: | Classe di contaminazione: | ISO 4406 |
| Fluid temperature: | Temperatura fluido: | -20°C +90°C |
| Ambient temperature: | Temperatura ambiente: | -20°C +50°C |

Hydraulic symbol / Simbolo idraulico

Dimensions / Dimensioni (mm)

Performance / Prestazioni

How to order / Come ordinare
18-C--00-3-1-**-****

 Example 15 = R 1.5 Setting
 20 = R 2.0 Regolazione

 Example 00 = No hole Hole F Diameter
 01 = F Ø 0.1 Diametro foro F

 B thread 02 = 1/4 BSPP
 03 = 3/8 BSPP
 04 = 1/2 BSPP
 05 = 3/4 BSPP
 06 = 1" BSPP
 Filetto B
 A thread 02 = 1/4 BSPP
 03 = 3/8 BSPP
 04 = 1/2 BSPP
 05 = 3/4 BSPP
 06 = 1" BSPP
 Filetto A

| Standard code Codice standard | A thread | B thread | L | LB | LA | Hex | R Std | Weight/Peso (kg) | Max. Flow Q max (l/min) | Max. pressure (bar) |
|----------------------------------|-------------|-------------|----|----|------|-----|-------|---------------------|----------------------------|------------------------|
| 18C0900310202 | 1/4 | 1/4 | 50 | 14 | 19 | 19 | 0.9 | 0.09 | 25 | 350 |
| 18C1500310303 | 3/8 | 3/8 | 58 | 17 | 23 | 24 | 1.5 | 0.16 | 50 | 350 |
| 18C2300310404 | 1/2 | 1/2 | 62 | 18 | 22.5 | 27 | 2.3 | 0.20 | 80 | 350 |
| 18C2500310505 | 3/4 | 3/4 | 75 | 21 | 23.5 | 32 | 2.5 | 0.30 | 150 | 350 |
| 18C2800310606 | 1" | 1" | 85 | 23 | 25 | 41 | 2.8 | 0.55 | 180 | 350 |

*On request versions: Please, contact our customer service.

*Versioni su richiesta: Per cortesia contattare il ns. servizio clienti.