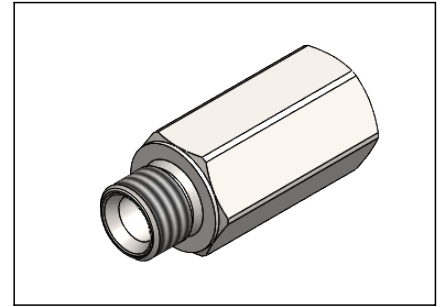
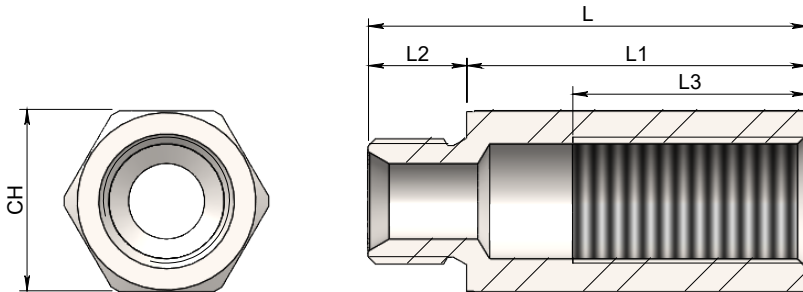


**Hose breack valve manifolds
Manicotti valvole di sicurezza**
MF


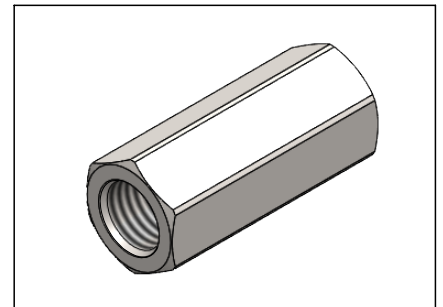
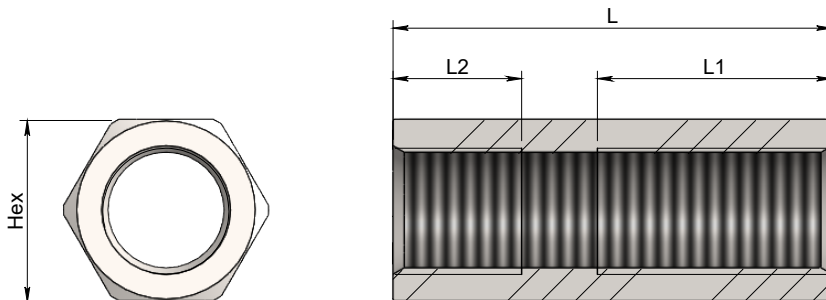
How to order / Come ordinare

31.MF.00.A0.3..****

 Thread
Filetto

- 02 = 1/4 BSPP
- 03 = 3/8 BSPP
- 04 = 1/2 BSPP
- 05 = 3/4 BSPP
- 06 = 1" BSPP

Standard code Codice standard	Thread	L	L1	L2	L3	CH
31.MF.00.A0.3.02.02	1/4	50	38	12	28	19
31.MF.00.A0.3.03.03	3/8	58	44	14	31	24
31.MF.00.A0.3.04.04	1/2	62	48	14	33	27
31.MF.00.A0.3.05.05	3/4	75	59	16	40	32
31.MF.00.A0.3.06.06	1"	85	64	21	45	41

FF


How to order / Come ordinare

31.FF.00.A0.3..****

 Thread
Filetto

- 02 = 1/4 BSPP
- 03 = 3/8 BSPP
- 04 = 1/2 BSPP
- 05 = 3/4 BSPP
- 06 = 1" BSPP

Standard code Codice standard	Thread	L	L1	L2	Hex
31.FF.00.A0.3.02.02	1/4	50	26	14	19
31.FF.00.A0.3.03.03	3/8	58	31	17	24
31.FF.00.A0.3.04.04	1/2	62	33	18	27
31.FF.00.A0.3.05.05	3/4	75	40	21	32
31.FF.00.A0.3.06.06	1"	85	45	21	41

*On request versions: Please, contact our customer service.

*Versioni su richiesta: Per cortesia contattare il ns. servizio clienti.