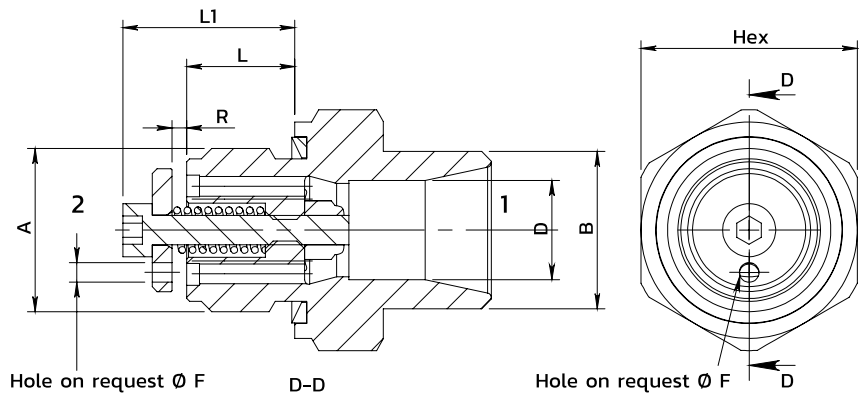
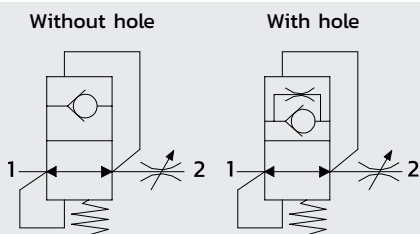
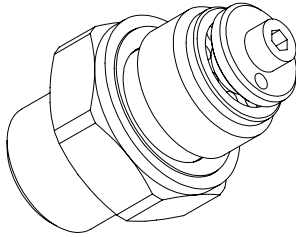


Hose break valves DIN series

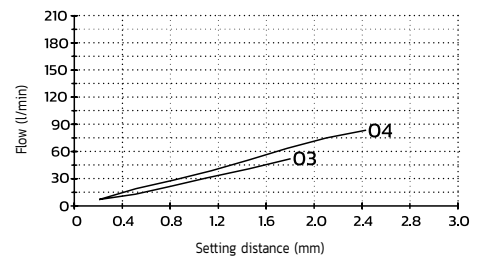
Valvole di sicurezza (paracadute) serie DIN



SPECIFICATIONS / SPECIFICHE

Fluid viscosity / Viscosità fluido	ISO 3448
Filtration / Classe di contaminazione	ISO 4406
Fluid temperature / Temperatura fluido	-20°C +90°C
Ambient temperature / Temperatura ambiente	-20°C +50°C

PERFORMANCE / PRESTAZIONI

Oil viscosity 24 mm²/s (3,5 °E) - Temperature 50°C

ORDERING CODE / CODICE ORDINAZIONE

18 * ** 00 3 1 ** 00

B Thread
See tab

Setting (example)
15 R 1.5
20 R 2.0

Hole F Diameter (example)
00 No hole.
01 F Ø 0.1

Ports size
03 3/8 BSPP
04 1/2 BSPP

Standard code	A thread	B thread	L	L1	D	Hex	R Std	Weight (kg)	Max. Flow (l/m)	Max. Pressure (bar)
18D1500310300	3/8	M 16X1.5	11	17	10	22	1.5	0.04	50	350
18E1500310300	3/8	M 18X1.5	11	17	12	22	1.5	0.04	50	350
18F2300310300	3/8	M 22X1.5	11	17	15	24	2.3	0.06	50	350
18F2300310400	1/2	M 22X1.5	13	19.5	15	27	2.3	0.07	80	350

* On request versions: Please, contact our customer service / Versioni su richiesta: Per cortesia contattare il ns. servizio clienti.