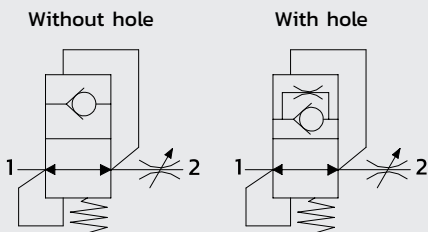
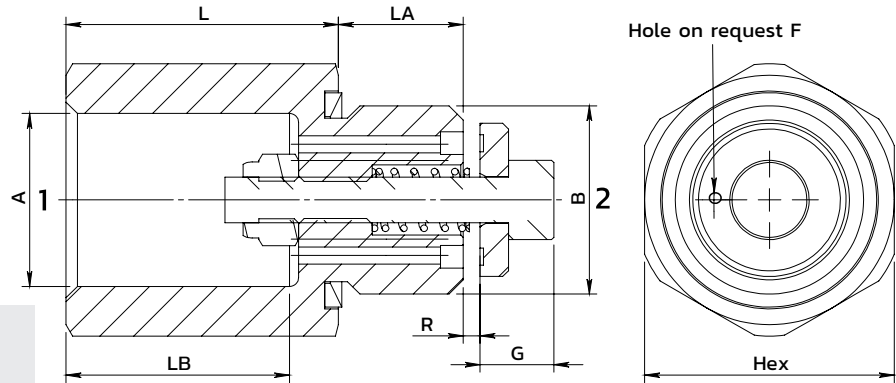
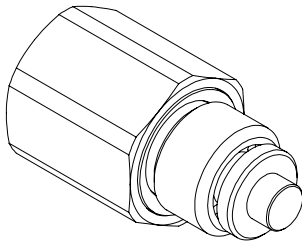


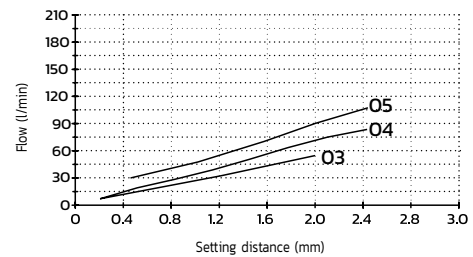
Hose break valves male female nipple

Valvole di sicurezza (paracadute) raccordo maschio femmina


SPECIFICATIONS / SPECIFICHE

Fluid viscosity / Viscosità fluido	ISO 3448
Filtration / Classe di contaminazione	ISO 4406
Fluid temperature / Temperatura fluido	-20°C +90°C
Ambient temperature / Temperatura ambiente	-20°C +50°C

PERFORMANCE / PRESTAZIONI

Oil viscosity 24 mm²/s (3.5 °E) - Temperature 50°C

ORDERING CODE / CODICE ORDINAZIONE

18 L ** 00 3 1 ** **

Setting (example)	
15	R 1.5
20	R 2.0

Hole F Diameter (example)	
00	No hole.
01	F Ø 0.1

Ports size	
03	3/8 BSPP
04	1/2 BSPP
05	3/4 BSPP

Standard code	Thread A-B	LA	LB	L	G	CH	R Std	Weight (kg)	Max. Flow (l/m)	Max. Pressure (bar)
18L1500310303	3/8	10.8	15	24	6.5	22	1.5	0.07	50	350
18L2300310404	1/2	11.5	20	28.5	6.5	27	2.3	0.1	80	350
18L2500310505	3/4	13.5	24	32.5	6.5	34	2.5	0.18	120	350

* On request versions: Please, contact our customer service / Versioni su richiesta: Per cortesia contattare il ns. servizio clienti.