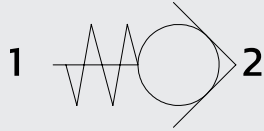
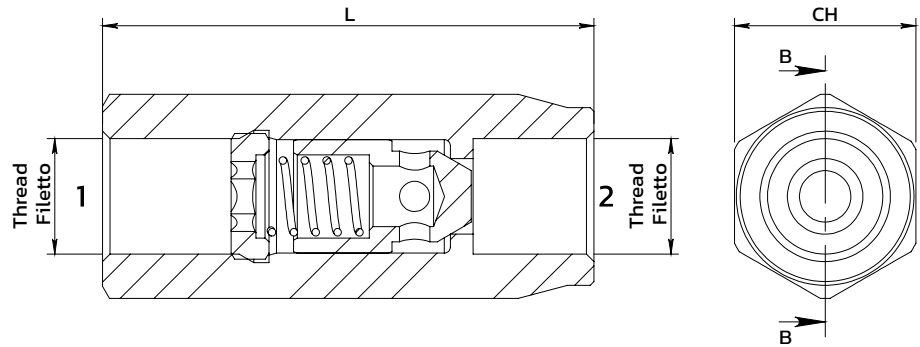
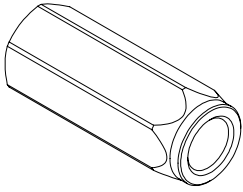


## Check valve female female manifold

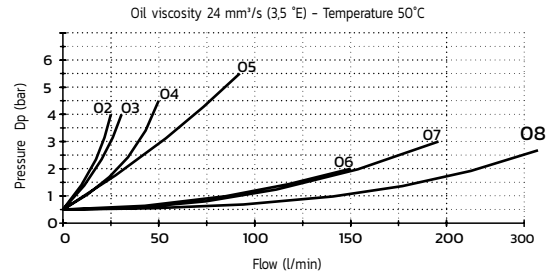
*Valvola unidirezionale manicotto femmina femmina*



### SPECIFICATIONS / SPECIFICHE

Fluid viscosity / Viscosità fluido	ISO 3448
Filtration / Classe di contaminazione	ISO 4406
Fluid temperature / Temperatura fluido	-20°C +90°C
Ambient temperature / Temperatura ambiente	-20°C +50°C
External surfaces / Superfici esterne	Zinc plated/Zincate

### PERFORMANCE / PRESTAZIONI



### ORDERING CODE / CODICE ORDINAZIONE

13 B 00 A00 3 O \*\* \*

Cracking pressure	
W	0.5-0.7 bar (Std)
X	1 bar
Y	3 bar
T	5 bar
Z	8 bar

Ports size	
02	1/4 BSPP
03	3/8 BSPP
04	1/2 BSPP
05	3/4 BSPP
06	1" BSPP
07	1" 1/4 BSPP
08	1" 1/2 BSPP

Standard code	Thread	L	CH	Weight (kg)	Max. Flow (l/m)	Max. Pressure (bar)
13B00A003002W	1/4	55	19	0.10	20	350
13B00A003003W	3/8	65	24	0.18	40	350
13B00A003004W	1/2	75	27	0.31	60	320
13B00A003005W	3/4	86.5	36	0.45	110	300
13B00A003006W	1"	105	41	0.72	160	300
13B00A003007W	1" 1/4	135	55	1.74	220	300
13B00A003008W	1" 1/2	145	60	2.044	350	300

\* On request versions: Please, contact our customer service / Versioni su richiesta: Per cortesia contattare il ns. servizio clienti.