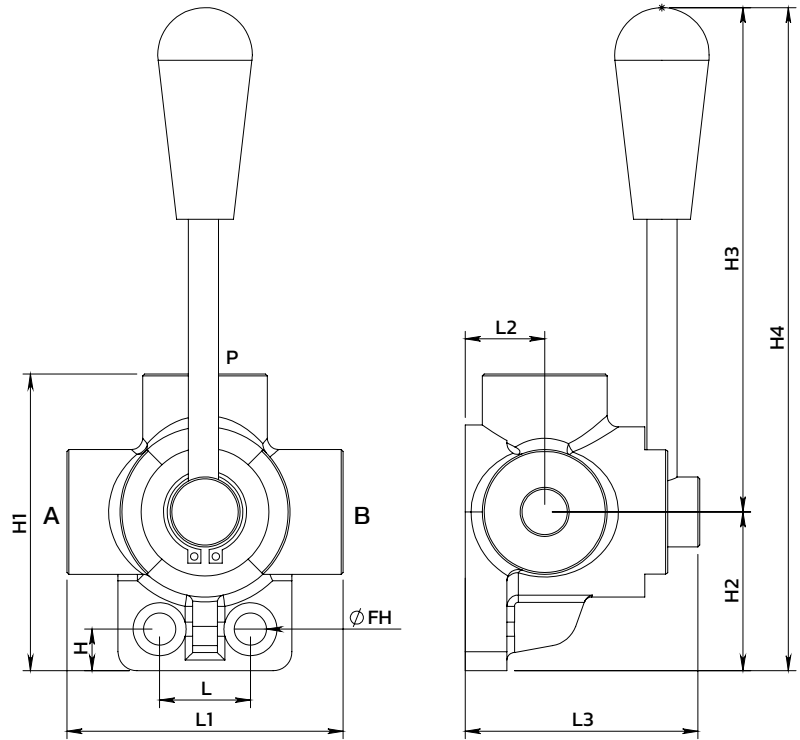
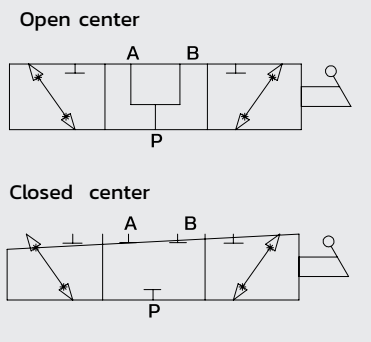
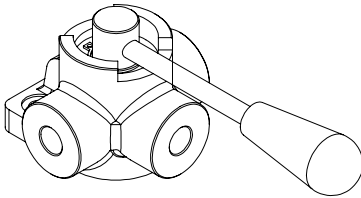
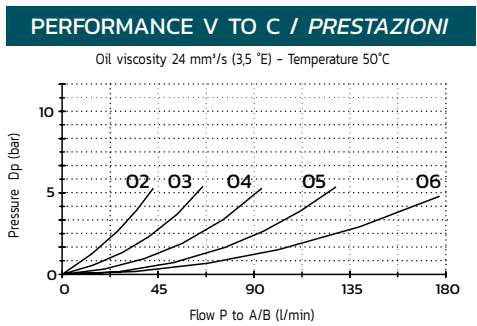


3-Way diverter valve cast iron

Deviatore di flusso 3 vie ghisa



SPECIFICATIONS / SPECIFICHE	
Fluid viscosity / Viscosità fluido	ISO 3448
Filtration / Classe di contaminazione	ISO 4406
Fluid temperature / Temperatura fluido	-20°C +90°C
Ambient temperature / Temperatura ambiente	-20°C +50°C
Standard seals / Guarnizioni standard	NBR 70 Shore A
Manifold material / Materiale collettore	Cast iron / Ghisa



ORDERING CODE / CODICE ORDINAZIONE

26 3 A Y 000 9 D ** N

Center option	
000	Open center
001	Closed center

Ports size	
O2	1/4 BSPP
O3	3/8 BSPP
O4	1/2 BSPP
O5	3/4 BSPP
O6	1" BSPP

Standard code	Thread (A-B-P)	L	L1	L2	L3	H	H1	H2	H3	H4	ØHF	Weight (kg)	Max. Flow (l/m)	Max. Pressure (bar)
263AY0009D02N	1/4	24	73	21	62	11	78.5	42	128	169	8.5	1.0	40	315
263AY0009D03N	3/8	24	73	21	62	11	78.5	42	128	169	8.5	0.9	60	315
263AY0009D04N	1/2	30	85	25	70	17	96	53	128	180	11	1.5	90	280
263AY0009D05N	3/4	32	91	28	80	13	100	54	125	180	11	1.8	120	250
263AY0009D06N	1"	32	98	32.5	90	14	113	64	140	207	11	2.5	200	220

* On request versions: Please, contact our customer service / Versioni su richiesta: Per cortesia contattare il ns. servizio clienti.