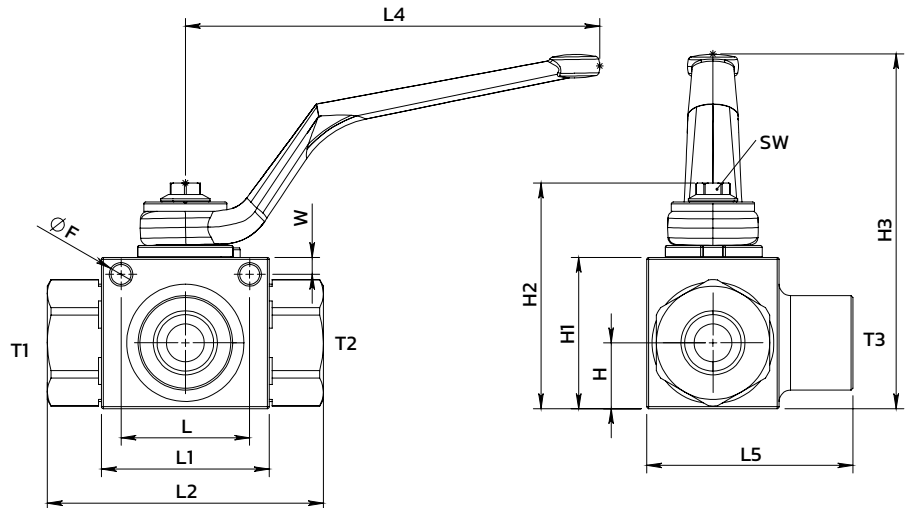
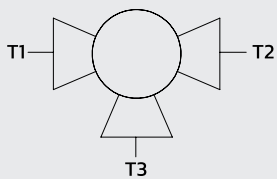
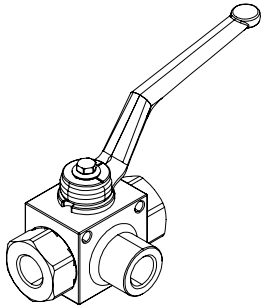


3-Way BSPP ball valve

Rubinetto a sfera 3 vie BSPP

SPECIFICATIONS / SPECIFICHE

Fluid viscosity / Viscosità Fluido	ISO 3448
Filtration / Classe di contaminazione	ISO 4406
Fluid temperature / Temperatura fluido	-20°C +90°C
Ambient temperature / Temperatura ambiente	-20°C +50°C
Standard seals / Guarnizioni standard	NBR 70 Shore A
Manifold material / Materiale collettore	Zinc plated steel

ORDERING CODE / CODICE ORDINAZIONE

27	3	AY	000	**	3	P	**	N
----	---	----	-----	----	---	---	----	---

See table

Ports size	
02	1/4 BSPP
03	3/8 BSPP
04	1/2 BSPP
05	3/4 BSPP
06	1" BSPP
07	1" 1/4 BSPP
08	1" 1/2 BSPP

Standard code	Thread (T1-T2-T3)	DN	L	L1	L2	L3	L4	L5	H	H1	H2	H3	ØFH	W	SW	Weight (kg)	Max. Pressure (bar)
273AY000063PO2N	1/4	6	34	42.4	71	30	110	48.5	14.5	35	49	87	5.3	4.5	9	0.5	500
273AY000103PO3N	3/8	10	34	44.4	73	35	110	54.5	17.4	40	54.3	93	5.3	4.5	9	0.7	500
273AY000133PO4N	1/2	13	36	48.4	83	37	110	58.5	19.7	43	57	97	5.3	5	9	0.8	500
273AY000203PO5N	3/4	20	50	62.5	95	49	180	75	25.4	57	75.5	105	6.3	6	14	1.6	420
273AY000253PO6N	1"	25	50	66.5	112	55	180	89	29.5	65	83.5	113	6.3	6	14	2.4	420
273AY000253PO7N	1" 1/4	25	50	66.5	120	55	180	89	29.5	65	83.5	113	6.3	6	14	2.6	420
273AY000253PO8N	1" 1/2	25	50	66.5	124	55	180	89	29.5	65	83.5	113	6.3	6	14	2.7	420

* On request versions: Please, contact our customer service / Versioni su richiesta: Per cortesia contattare il ns. servizio clienti.