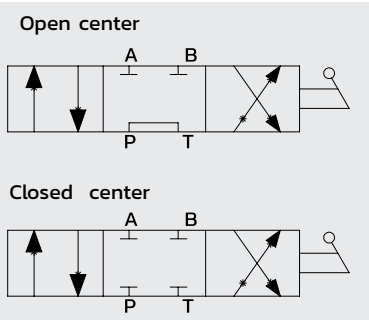
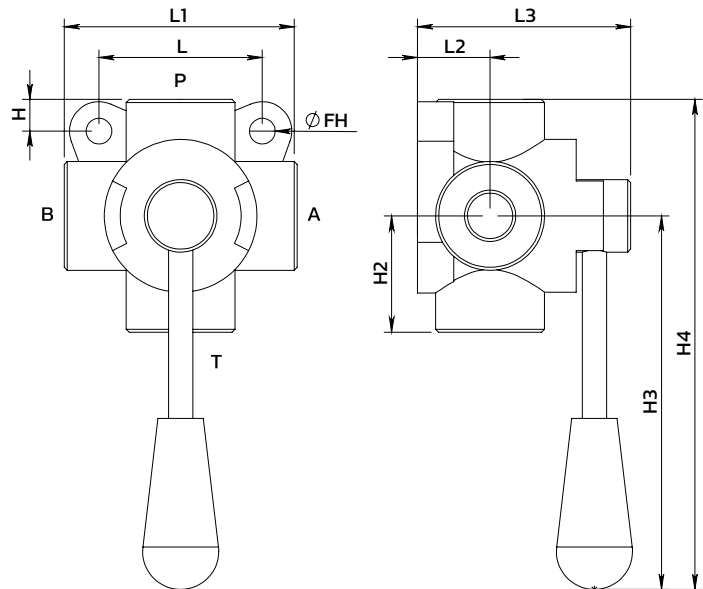
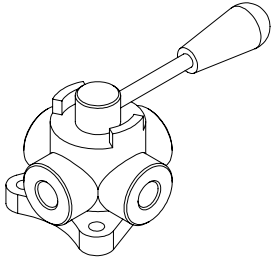


## 4-Way inverter valve cast iron

*Invertitore di flusso 4 vie ghisa*

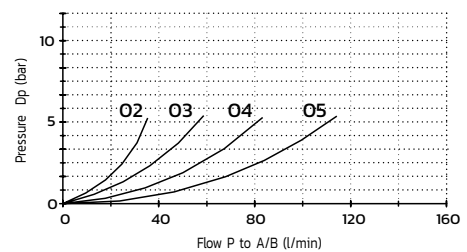


### SPECIFICATIONS / SPECIFICHE

Fluid viscosity / Viscosità fluido	ISO 3448
Filtration / Classe di contaminazione	ISO 4406
Fluid temperature / Temperatura fluido	-20°C +90°C
Ambient temperature / Temperatura ambiente	-20°C +50°C
Standard seals / Guarnizioni standard	NBR 70 Shore A
Manifold material / Materiale collettore	Cast iron / Ghisa

### PERFORMANCE V TO C / PRESTAZIONI

Oil viscosity 24 mm<sup>2</sup>/s (3.5 °E) - Temperature 50°C



### ORDERING CODE / CODICE ORDINAZIONE

26 4 B Y 000 9 D \*\* N

Center option	
000	Open center
001	Closed center

Ports size	
O2	1/4 BSPP
O3	3/8 BSPP
O4	1/2 BSPP
O5	3/4 BSPP

Standard code	Thread (A-B-P-T)	L	L1	L2	L3	H	H2	H3	H4	ØHF	Weight (kg)	Max. Flow (l/m)	Max. Pressure (bar)
264BY0009D02N	1/4	53.5	77	24	70	11	35	126	165	8.5	1.3	25	300
264BY0009D03N	3/8	53.5	77	24	70	11	35	126	165	8.5	1.3	35	300
264BY0009D04N	1/2	68	90	28	79	10	42	125	170	8.5	1.9	50	250
264BY0009D05N	3/4	74	95	32	90	12	49	142	190	8.5	2.5	90	220

\* On request versions: Please, contact our customer service / Versioni su richiesta: Per cortesia contattare il ns. servizio clienti.