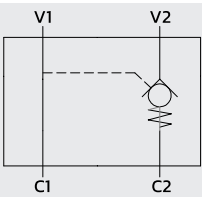
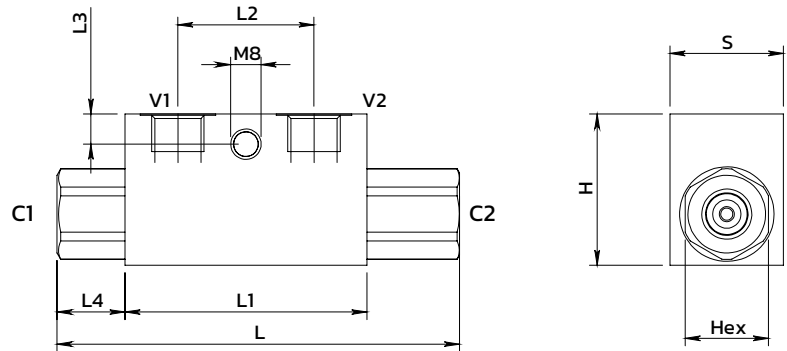
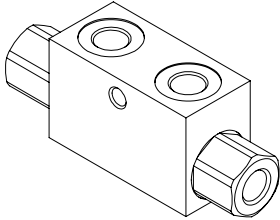


## Single pilot operated check valve Valvola di blocco pilotata semplice effetto

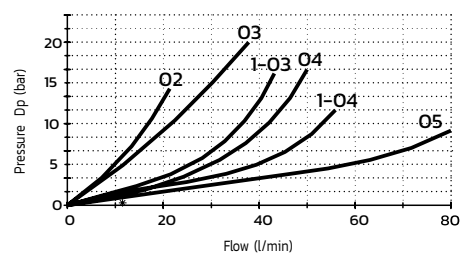


### SPECIFICATIONS / SPECIFICHE

Fluid viscosity / Viscosità fluido	ISO 3448
Filtration / Classe di contaminazione	ISO 4406
Fluid temperature / Temperatura fluido	-20°C +90°C
Ambient temperature / Temperatura ambiente	-20°C +50°C
Max operating pressure / Pressione di lavoro max	350 bar
Standard seals / Guarnizioni standard	NBR 70 Shore A
Manifold material / Materiale collettore	Zinc plated steel

### PERFORMANCE / PRESTAZIONI

Oil viscosity 24 mm<sup>2</sup>/s (3.5 °E) - Temperature 50°C



### ORDERING CODE / CODICE ORDINAZIONE

**14 M 01 A\*3 3 M \*\* \***

Flow characteristic	
O	See tab
1	See tab

OR on pilot piston	
M	With OR (Std)
N	Without OR

Ports size	
O2	1/4 BSPP
O3	3/8 BSPP
O4	1/2 BSPP
O5	3/4 BSPP

Cracking pressure	
Y	See tab. (Std)
X	1 bar

Standard code	Thread V1-V2 C1-C2	L	L1	L2	L3	L4	H	S	Hex	Weight kg	Max Flow (l/m)	Cracking P	Pilot ratio
14M01A033M02Y	1/4	106.5	64	36	8	18	40	30	22	0.61	20	4	5.5 :1
14M01A033M03Y	3/8	120	68	38	8	22	40	30	22	0.70	35	3	5.5 :1
14M01A133M03Y	3/8	148	90	45	12.5	25	45	35	27	0.95	<b>45</b>	8	5 :1
14M01A033M04Y	1/2	133	90	45	12.5	17	45	35	27	1.00	50	6	5 :1
14M01A133M04Y	1/2	134	80	40	18	22	60	35	30	1.10	<b>70</b>	3.5	4 :1
14M01A033M05Y	3/4	182	100	46	12	36	60	40	36	1.70	100	2	4 :1

\* On request versions: Please, contact our customer service / Versioni su richiesta: Per cortesia contattare il ns. servizio clienti.