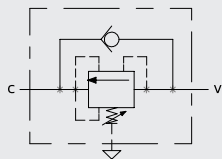
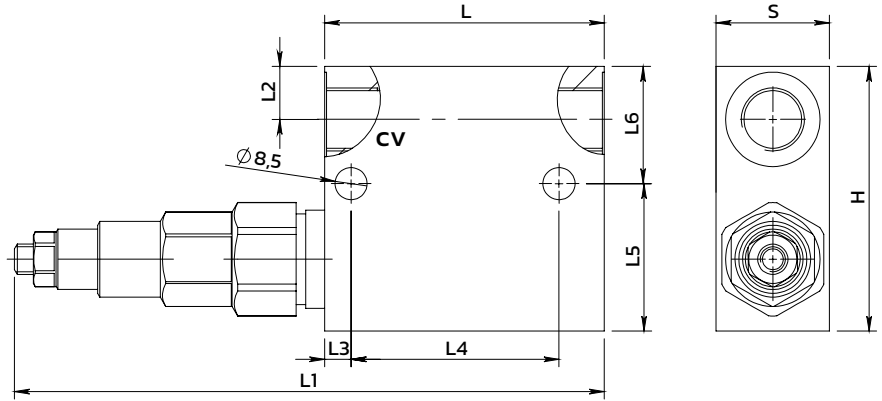
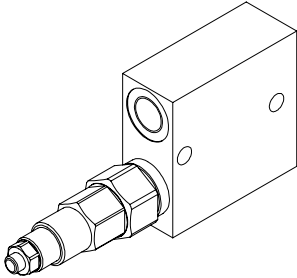
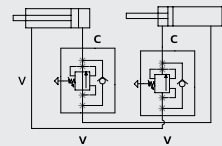


Sequence valve with primary pressure compensation

Valvola di sequenza ad annullamento pressione primaria



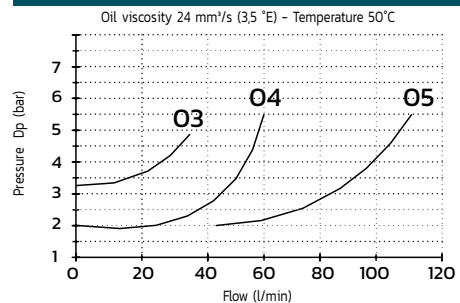
Application circuits



SPECIFICATIONS / SPECIFICHE

Fluid viscosity / Viscosità fluido	ISO 3448
Filtration / Classe di contaminazione	ISO 4406
Fluid temperature / Temperatura fluido	-20°C +90°C
Ambient temperature / Temperatura ambiente	-20°C +50°C
Max operating pressure / Pressione di lavoro max	350 bar
Standard seals / Guarnizioni standard	NBR 70 Shore A
Manifold material / Materiale collettore	Zinc plated steel

PRESSURE DROP CURVE



ORDERING CODE / CODICE ORDINAZIONE

11 A PP F00 3 R ** *

Adjustment	
R	Screw with steel cap (Std)
N	Tamper resistant cap
O	Handknob and locknut

Ports size	
03	3/8 BSPP
04	1/2 BSPP
05	3/4 BSPP

Setting range (bar) - Std setting at 5 l/min (bar)				
3/8-1/2		3/4		
X	10-50	30	Z	20-200
Y	20-100	75	W	50-400 (Std)
Z	10-180 (Std)	90		
T	50-250	130		
W	80-300	150		

Standard code	C-V	L	L1	L2	L3	L4	L5	L6	H	S	Weight kg	Max Flow (l/m)	Max. Pressure
11APPFO03R03Z	3/8	74	156	14	7	55	39	31	70	30	1.25	30	350
11APPFO03R04Z	1/2	80	162	15	7	55	37	33	70	30	1.28	70	350
11APPFO03R05W	3/4	100	192	20	10	60	50	50	100	40	2.84	110	400

* On request versions: Please, contact our customer service / Versioni su richiesta: Per cortesia contattare il ns. servizio clienti.