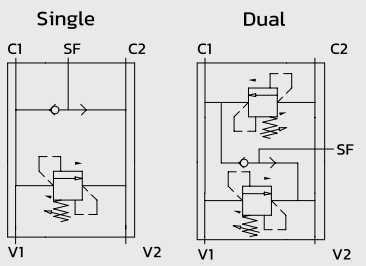
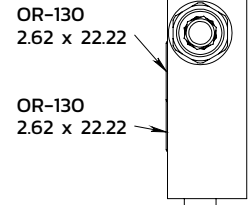
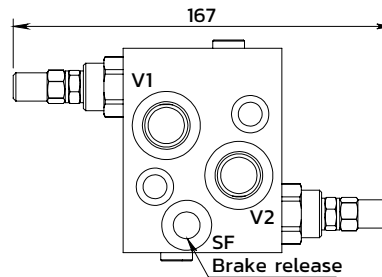
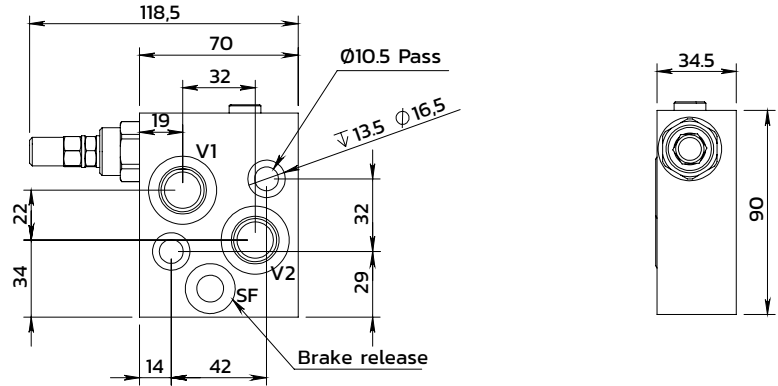
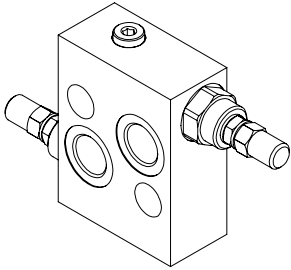
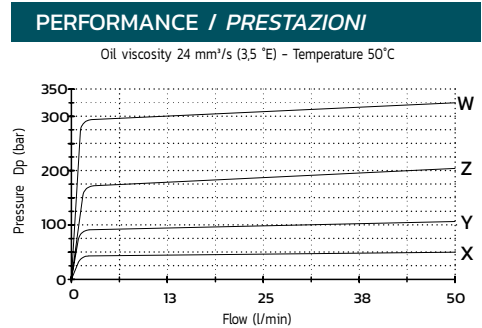


## Single/Dual cross over direct acting relief valve OMS motor flangeable

*Valvola antiurto singola/doppia flangiabile su motori OMS*



SPECIFICATIONS / SPECIFICHE	
Fluid viscosity / Viscosità Fluido	ISO 3448
Filtration / Classe di contaminazione	ISO 4406
Fluid temperature / Temperatura fluido	-20°C +90°C
Ambient temperature / Temperatura ambiente	-20°C +50°C
Max operating pressure / Pressione di lavoro max	350 bar
Standard seals / Guarnizioni standard	NBR 70 Shore A
Manifold material / Materiale collettore	Zinc plated steel



**ORDERING CODE / CODICE ORDINAZIONE**

**10 L 04 G \*\* 3 R 04 \***

Manifold model	
04	Double effect
14	Double effect with brake release
05	Single effect
15	Single effect with brake release

Adjustment	
R	Screw with steel cap (Std)
N	Tamper resistant cap
O	Handknob and locknut

Ports size	
04	1/2 BSPP

Setting range (bar)		Std setting at 5 l/min
X	10-50	30
Z	10-180 (Std)	90
W	80-300	150

Standard code	Thread	V1-V2	SF	Denomination	Weight kg	Max Flow (l/m)
10L04G043R04Z		1/2	-	RVD-OMS-2	1.5	50
10L04G143R04Z		1/2	1/4	RVD-OMS-2-SF	1.5	50
10L04G053R04Z		1/2	-	RVD-OMS-1	1.5	50
10L04G153R04Z		1/2	1/4	RVD-OMS-1-SF	1.5	50

\* On request versions: Please, contact our customer service / Versioni su richiesta: Per cortesia contattare il ns. servizio clienti.