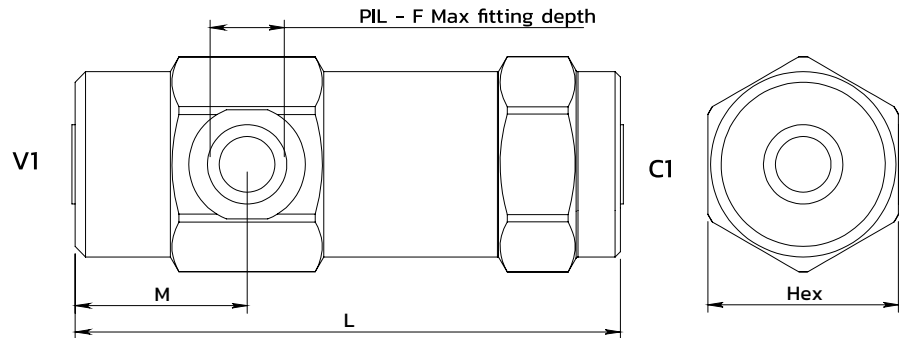
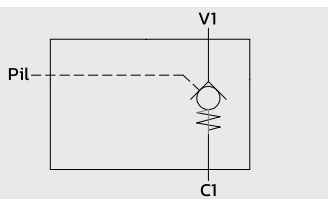
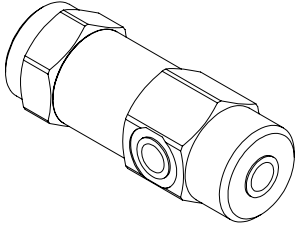


## Inline single pilot operated check valve

*Valvola di blocco pilotata semplice effetto in linea*

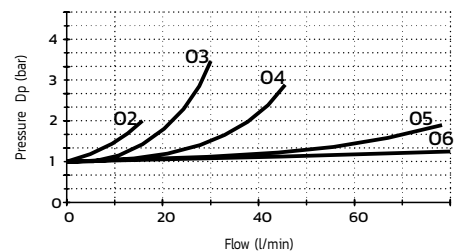


### SPECIFICATIONS / SPECIFICHE

Fluid viscosity / Viscosità Fluido	ISO 3448
Filtration / Classe di contaminazione	ISO 4406
Fluid temperature / Temperatura fluido	-20°C +90°C
Ambient temperature / Temperatura ambiente	-20°C +50°C
Standard seals / Guarnizioni standard	NBR 70 Shore A
Manifold material / Materiale collettore	Zinc plated steel

### PERFORMANCE / PRESTAZIONI

Oil viscosity 24 mm<sup>2</sup>/s (35 °E) - Temperature 50°C



### ORDERING CODE / CODICE ORDINAZIONE

14	A	O6	DO1	3	N	**	*
----	---	----	-----	---	---	----	---

Ports size	
O2	1/4 BSPP
O3	3/8 BSPP
O4	1/2 BSPP
O5	3/4 BSPP
O6	1" BSPP

Cracking pressure	
X	1 bar (Std)
Y	3 bar
Z	8 bar

Standard code	Thread V1-V2 PIL	L	M	F Max	Hex	Weight kg	Max Flow (l/m)	Max Pressure (bar)	Pilot ratio
14A06DO13NO2X	1/4 1/4	103	32.5	12	36	0.7	20	350	8.5 :1
14A06DO13NO3X	3/8 1/4	109	31.5	12	40	0.9	30	300	6 :1
14A06DO13NO4X	1/2 1/4	122	38	12	42	1.1	45	300	5.5 :1
14A06DO13NO5X	3/4 1/4	131	39.5	14	55	2	80	250	4 :1
14A06DO13NO6X	1" 1/4	165	59.5	14	55	2.3	120	220	3.5 :1

\* On request versions: Please, contact our customer service / Versioni su richiesta: Per cortesia contattare il ns. servizio clienti.